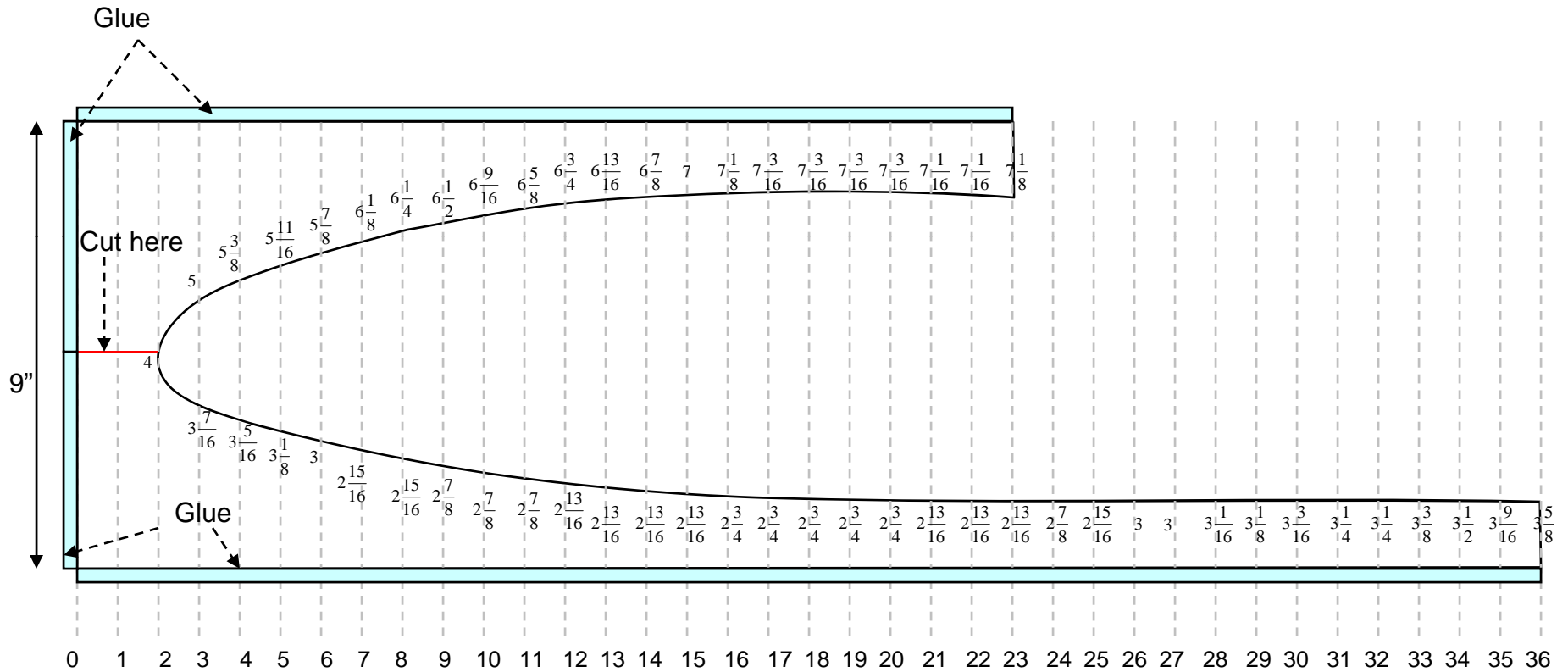




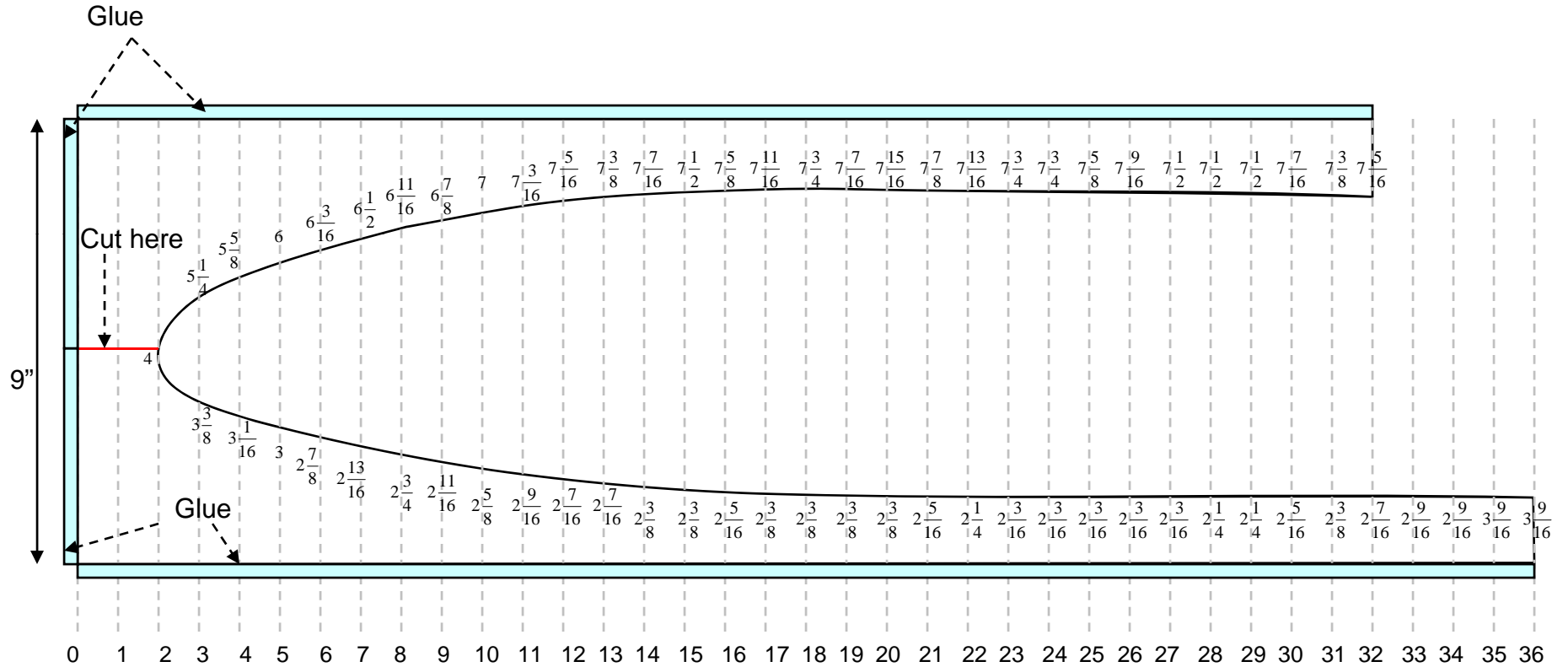
# Tip Frame Foam Cutout



All units in inches



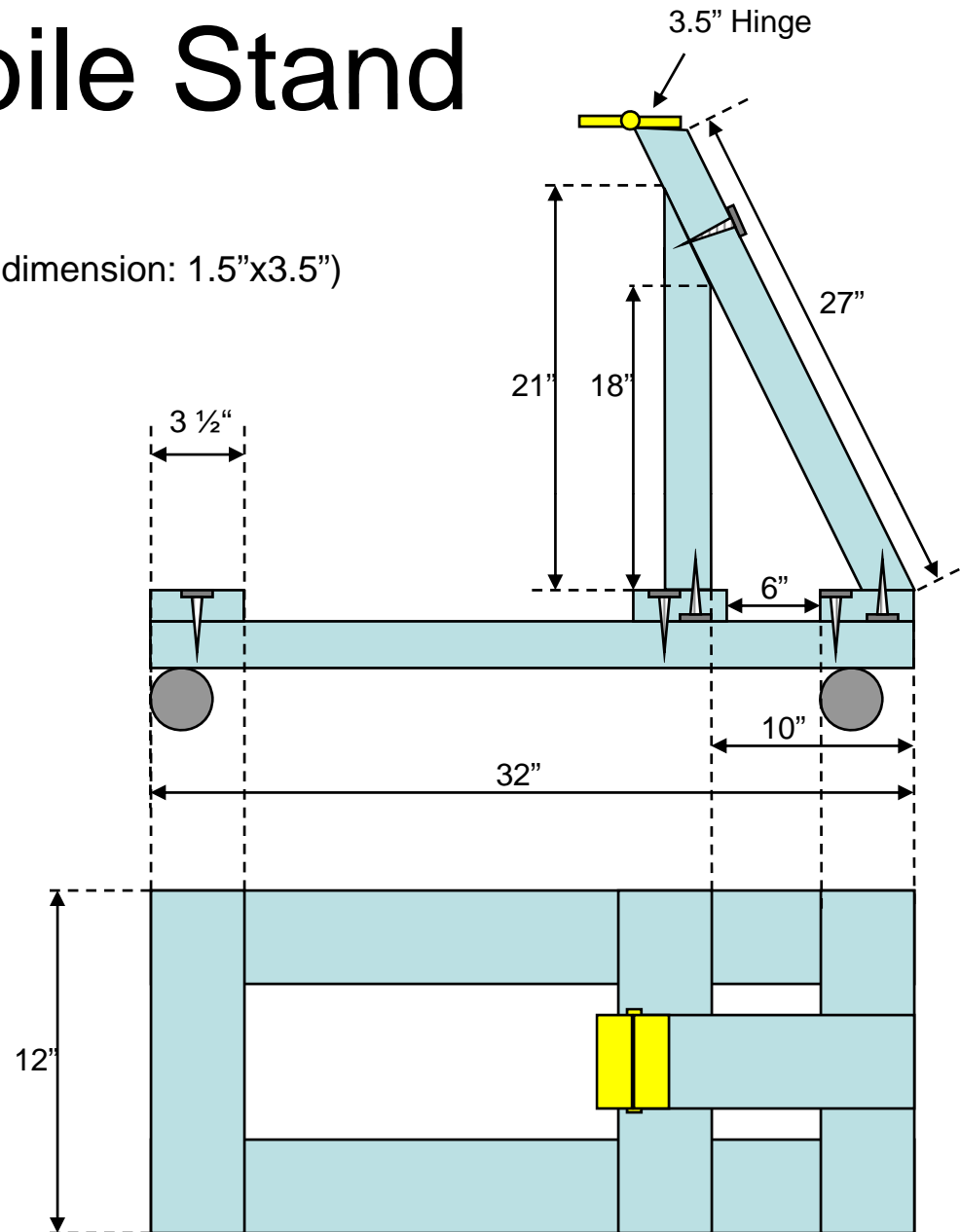
# Root Frame Foam Cutout



# Mobile Stand

Use 2x4 wood studs (actual dimension: 1.5"x3.5")

Height of the stand could be varied depending on how high you want the wing to be when horizontal. I made it such that it is the same height as my work bench, which makes it easier to slide the wing on and off the bench.



# Saddle

7/16" Bolt hole (3/8" screw, 6" long).  
This should be aligned to the holes on the frame.  
Make the holes such that the hinge pin is 19.5" from the leading edge of the frame.  
I have not experimented with this, but I suspect 16-18" may work better than 19.5" for stability.

